



INSTALLATION INSTRUCTIONS

Strongroom

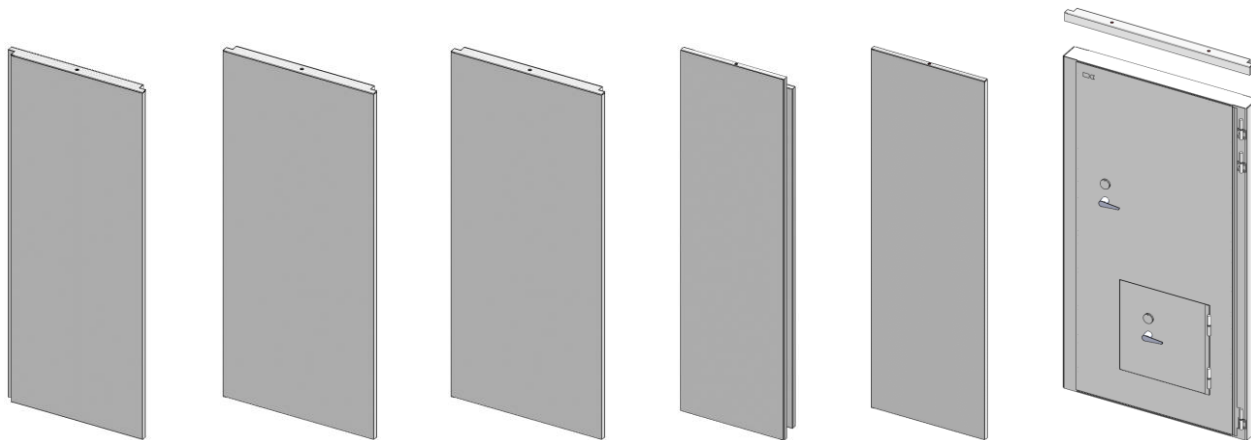
GENERAL INFORMATION

Please do note that these instructions are only general instructions for erecting a strongroom. It does not cover areas like occupational safety, etc.

Installing a strongroom requires expertise and must be done according to specification in order to maintain the certificate.

Each and every strongroom is unique as they have been designed and manufactured according to customer's special needs. Therefore, detailed instructions will always vary, and they will be delivered separately.

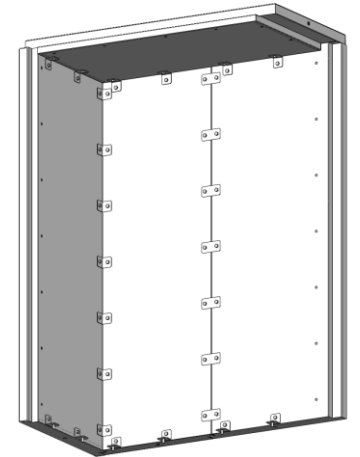
A strongroom consists of several different panels and they must be installed in prescribed order. Ordinary, there are basic wall panels, corner panels, door's side panel, door's overhead panel, door, and at least starting and ending roof panels (see pictures below).



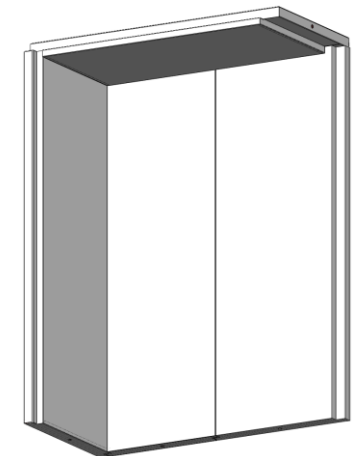
KKASO[®]

Installation options:

Screwed connection

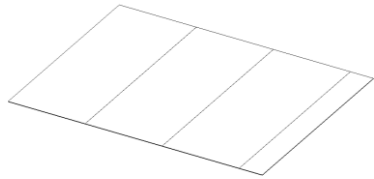


Welded connection
Adequate fastening frequency can be
found from a separate instruction

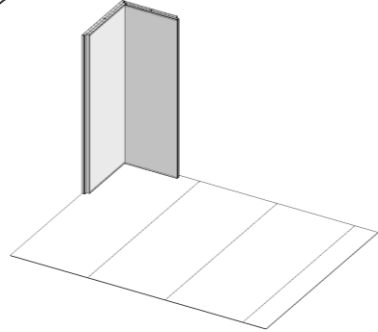


INSTALLATION STEPS

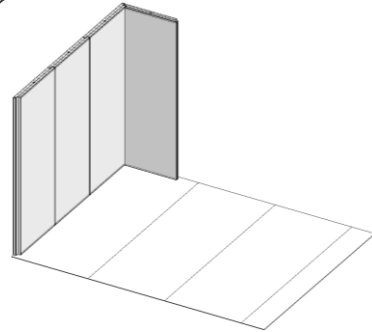
General procedure for installing a strongroom



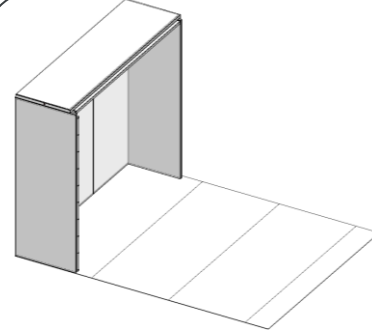
1. Build the base first. A floor must be well aligned and levelled.



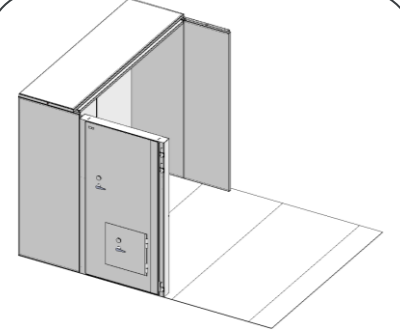
2. Start building a vault from the back corner. At first, attach panels loosely to allow adjustments.



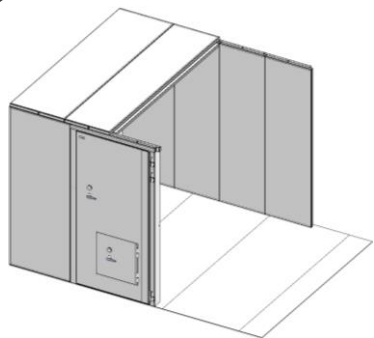
3. Continue erecting walls and aim to place the first roof panel.



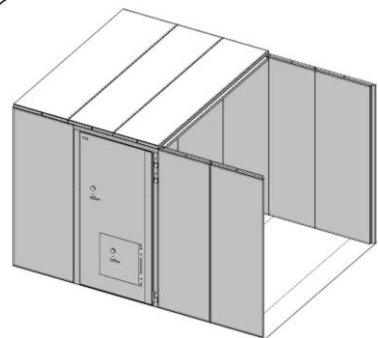
4. Attaching the roof panel will stiffen the structure significantly.



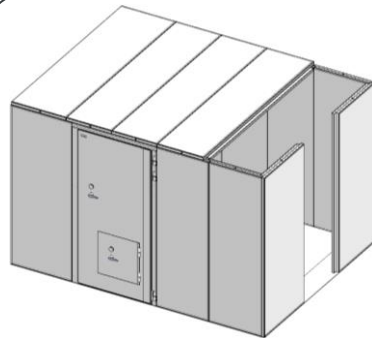
5. Continue erecting walls and add a door where intended.



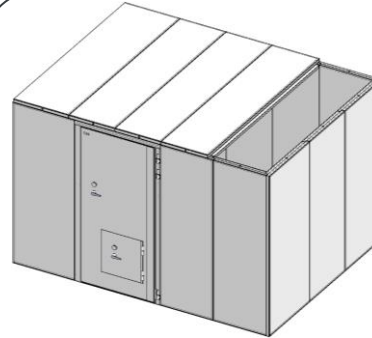
6. Add roofs panels on top whenever possible.



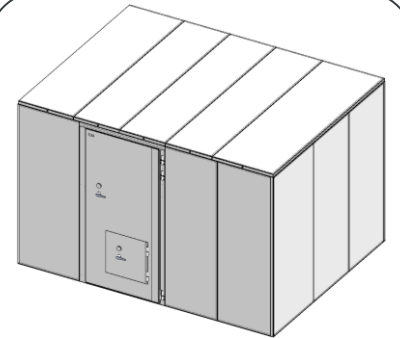
7. Repeat steps 5 and 6.



8. Repeat steps 5 and 6.



9. Repeat steps 5 and 6.



10. Finally, install the last roof panel.